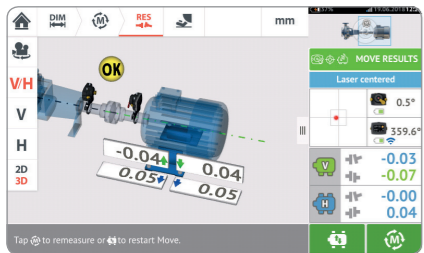
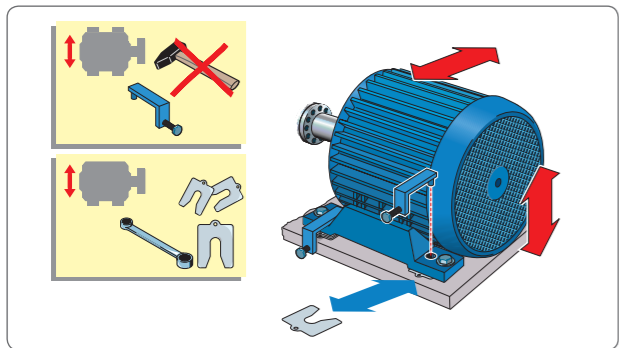
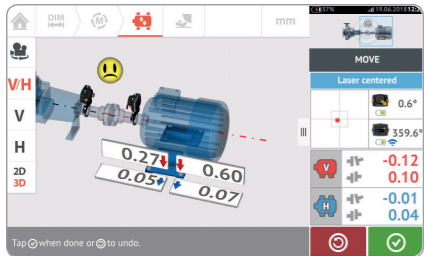


Corrections with Live Move



Contact

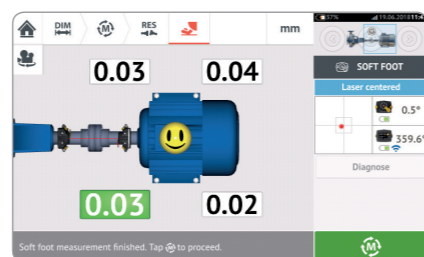
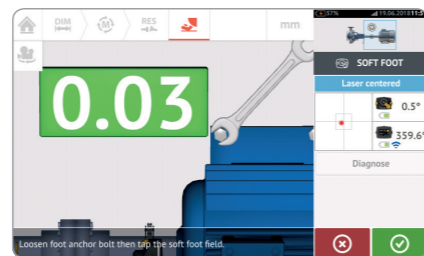
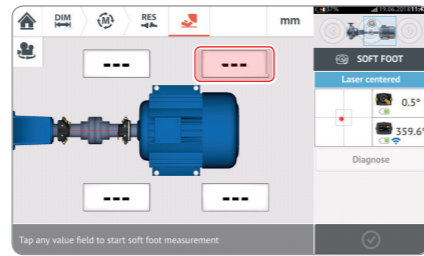


Fluke Deutschland GmbH
 Freisinger Str. 34
 85737 Ismaning, Germany
 +49 89 99616-0
 www.pruftechnik.com

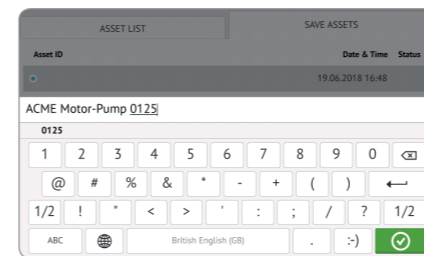
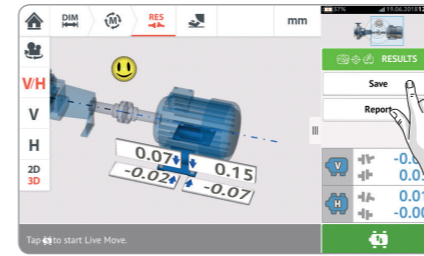


Contents subject to change without further notice, particularly in the interest of further technical development. © Copyright 2018 by PRÜFTECHNIK Condition Monitoring GmbH

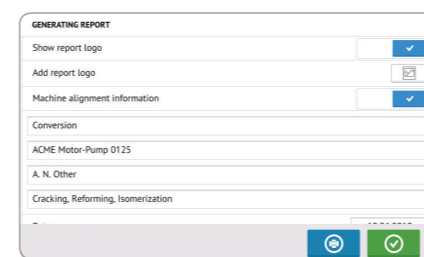
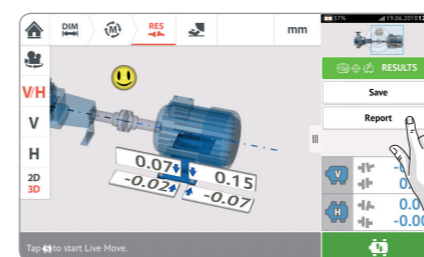
Check soft foot



Save measurement file



Generate measurement report

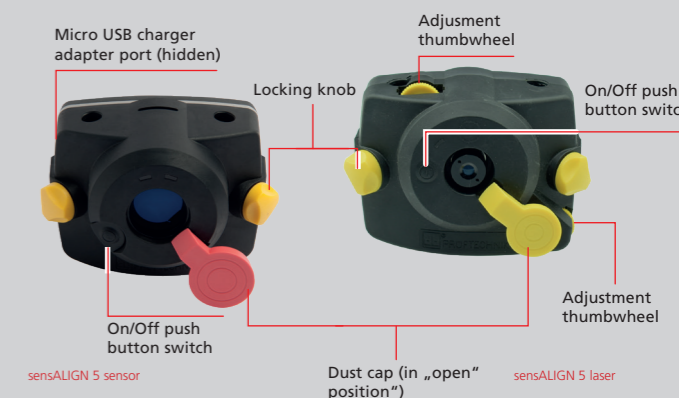


OPTALIGN® touch Shaft – Pocket guide

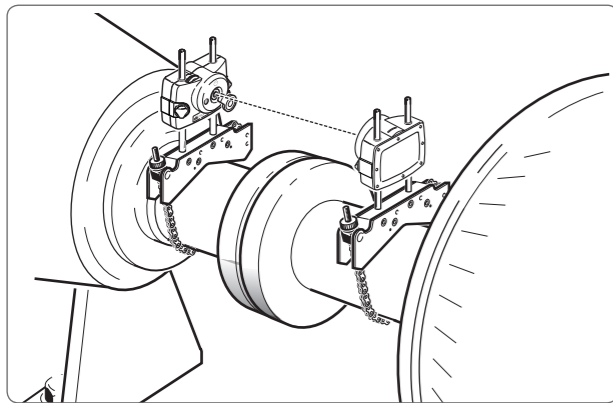
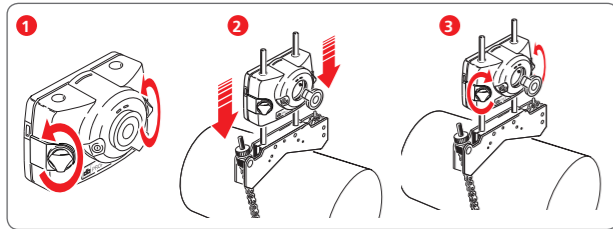
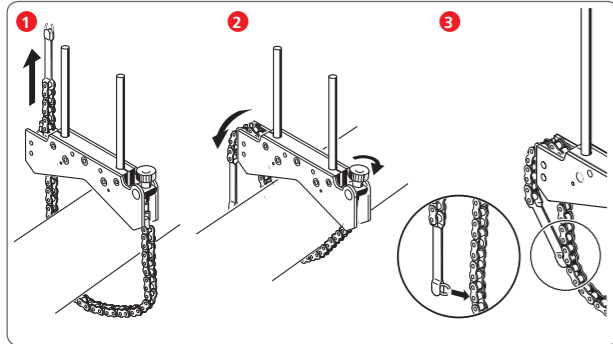
touch device



sensALIGN® 5 sensor and laser



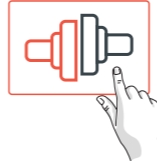
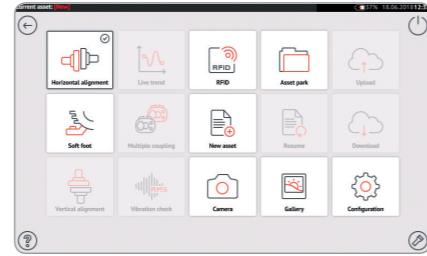
1. Mount components



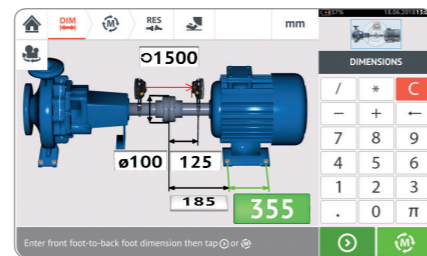
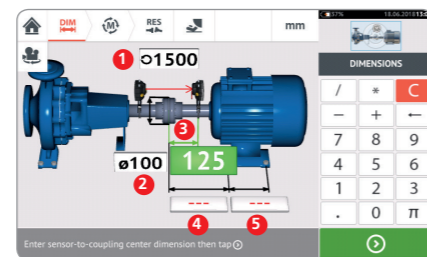
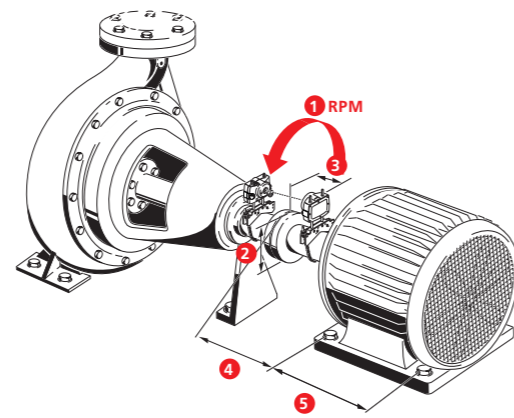
2. Switch components on



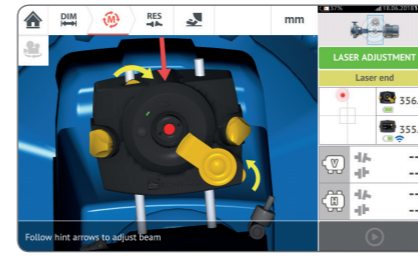
3. Start application



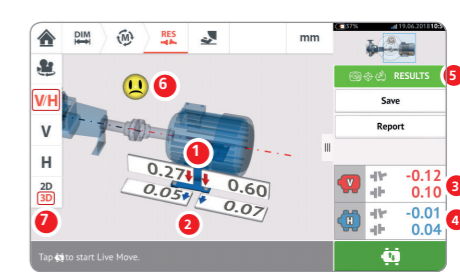
4. Enter dimensions



5. Adjust laser and measure

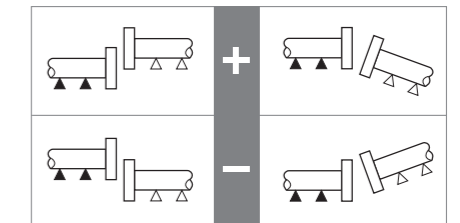


6. View results



- 1 Vertical feet position
- 2 Horizontal feet position
- 3 Vertical coupling results
- 4 Horizontal coupling results
- 5 Selected results mode
- 6 Alignment condition tolerance icon
- 7 Horizontal and Vertical foot results in 3D

Sign convention



Tolerance

